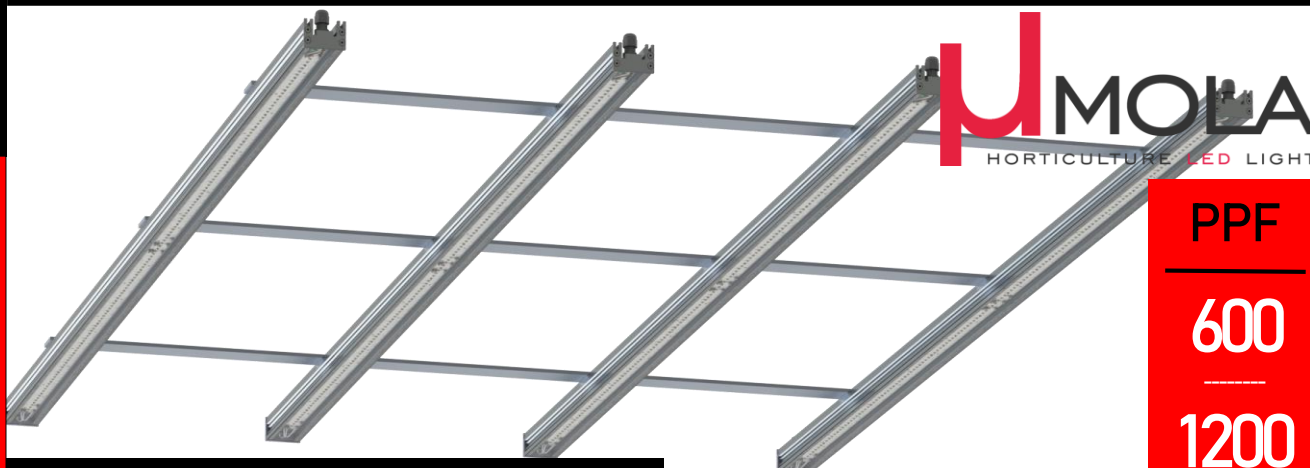




UWF-240-480W

PRODUCT CARD



UMOLA
HORTICULTURE LED LIGHT

PPF
600
1200
μmol/s

VERTICAL UmolaHorti LED

SPECIFICATION

ELECTRICAL PARAMETERS

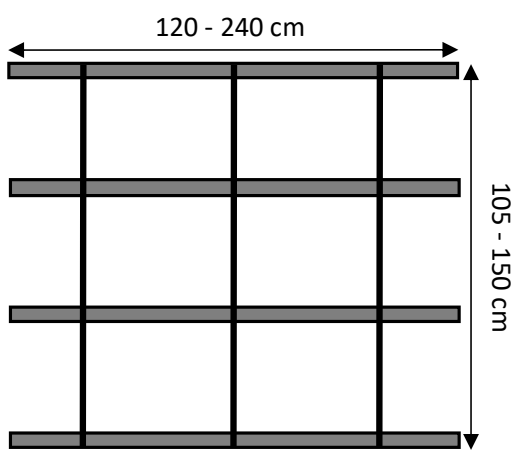
Power consumption:	240 – 480W
Current consumption:	700mA
Power factor:	97 cosφ
Input voltage:	230 VAC
Power supply type:	Constant Current
LED diodes:	OSRAM / SAMSUNG

PHOTOMETRIC PARAMETERS

Light flux 400-700 nm (PPF):	600 - 1200 μmol/s
PPF Efficiency (PE):	2,53 μmol/J
Color rendering index:	60
Lighting angle:	120°

USABLE PARAMETERS

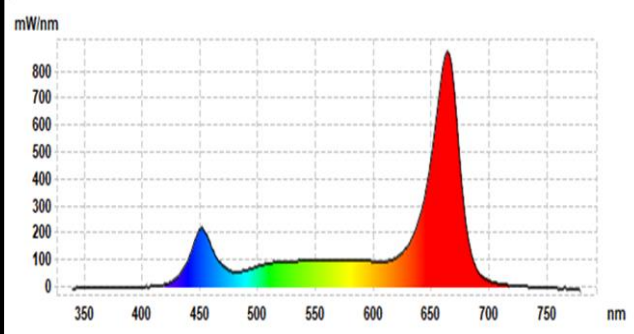
Ingress protection rating:	IP 65
Lifetime at 85°C:	>35.000 hrs
Warrenty:	36 months
Working temperature:	+10` +40 °C
Total weight:	9,5 kg.
Total dimension:	(120-240)x(105-105)x5 cm (LxWxH)



CHARACTERISTIC

- High yield and quality of crops, all-year-round cultivation independent of the climate.
- Full-spectrum light adjusted to growth, flowering and fruiting phases for most low-growing crops.
- The system can be adapted to any vertical set (racks)
- Possibility to choose one of 3 different sets with a length of 120, 180 and 240 cm fittings in a combination of 4 connected lamps with adjustable distances.
- Passive cooling
- Low level of heat emission
- Traditional/local or central/external power supply..
- Designed and made in Poland.

LIGHT SPECTRA



POLAR SHAPE

